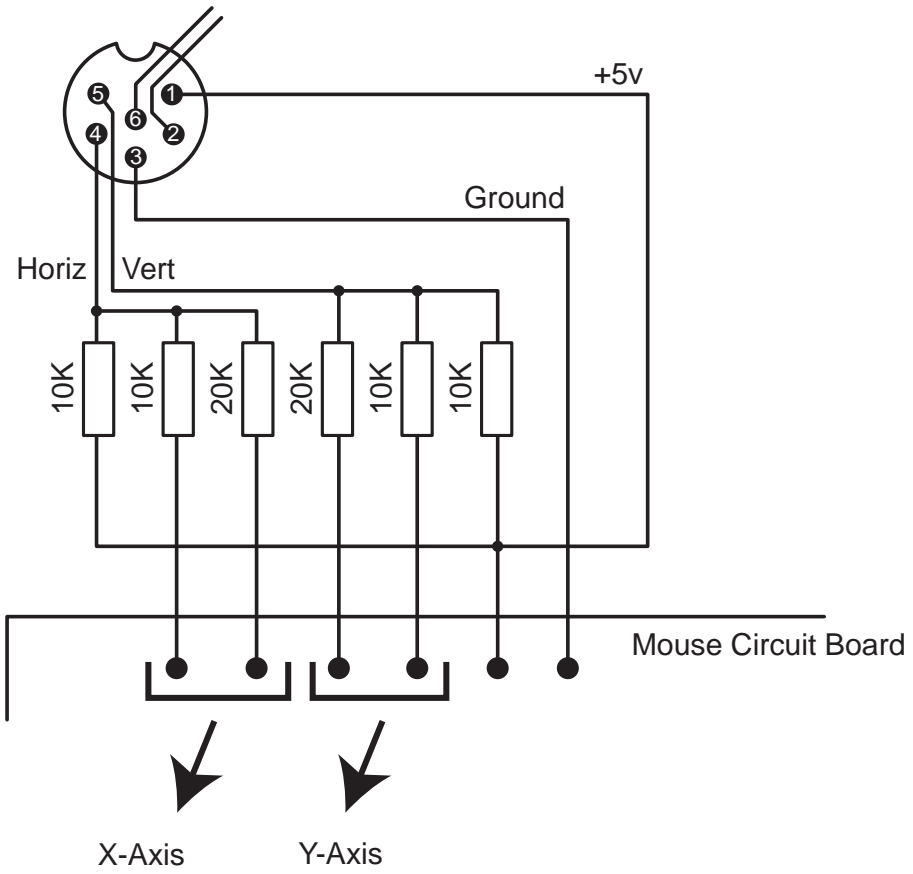


Mouse Buttons



+5v

Ground

Horiz

Vert

10K

10K

20K

20K

10K

10K

Mouse Circuit Board

X-Axis

Y-Axis